

Hampton Bays, NY

Beach Stairs

Proposed

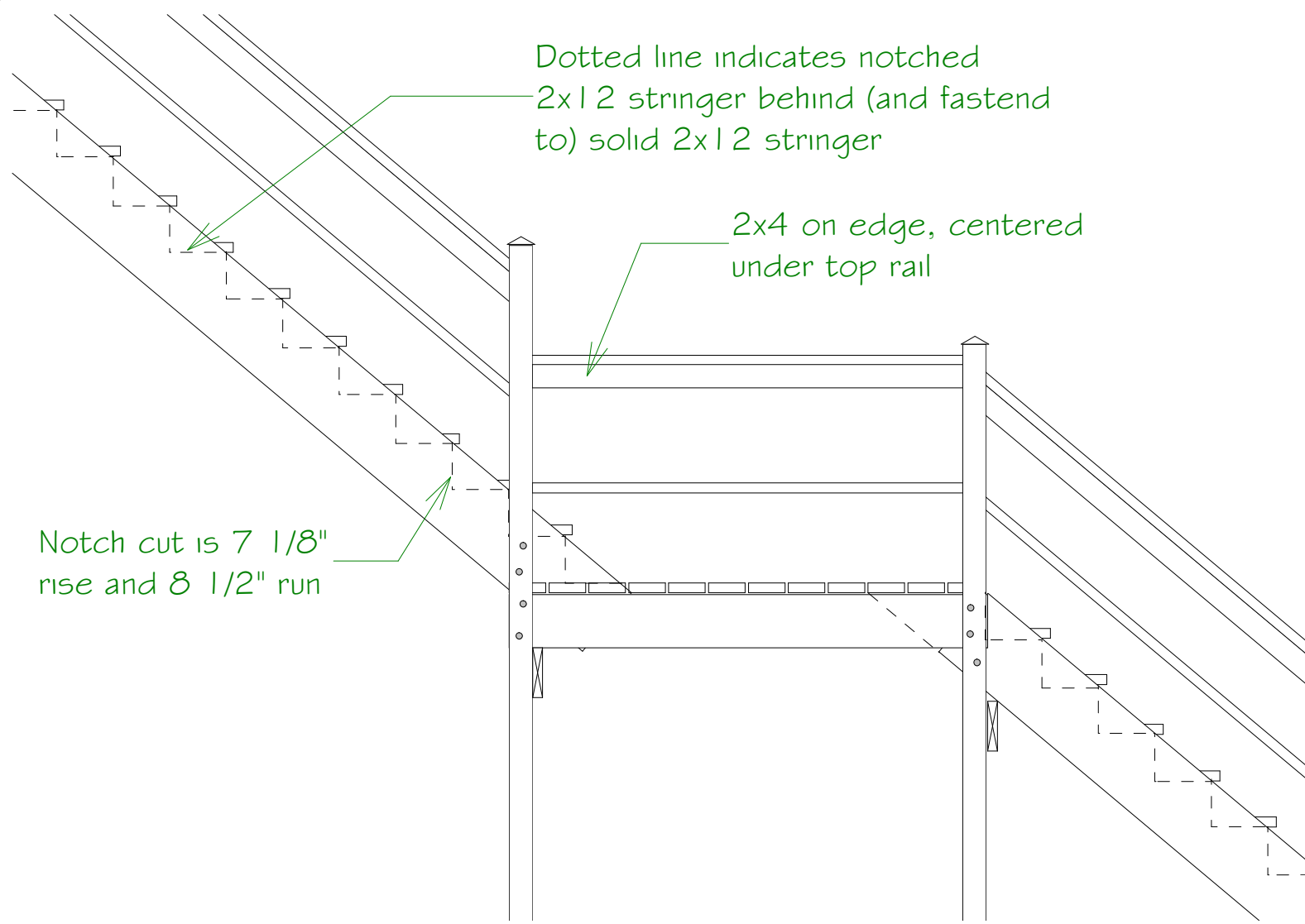
Copyright (c) 2003. All rights reserved.

**David A. Webb, Inc.**

Design, Drafting, Engineering,  
General Contracting

516 - 982 - 8502

Date	Drawn by	Scale	Sheet
3/12/04	DW	1/8" = 1'	

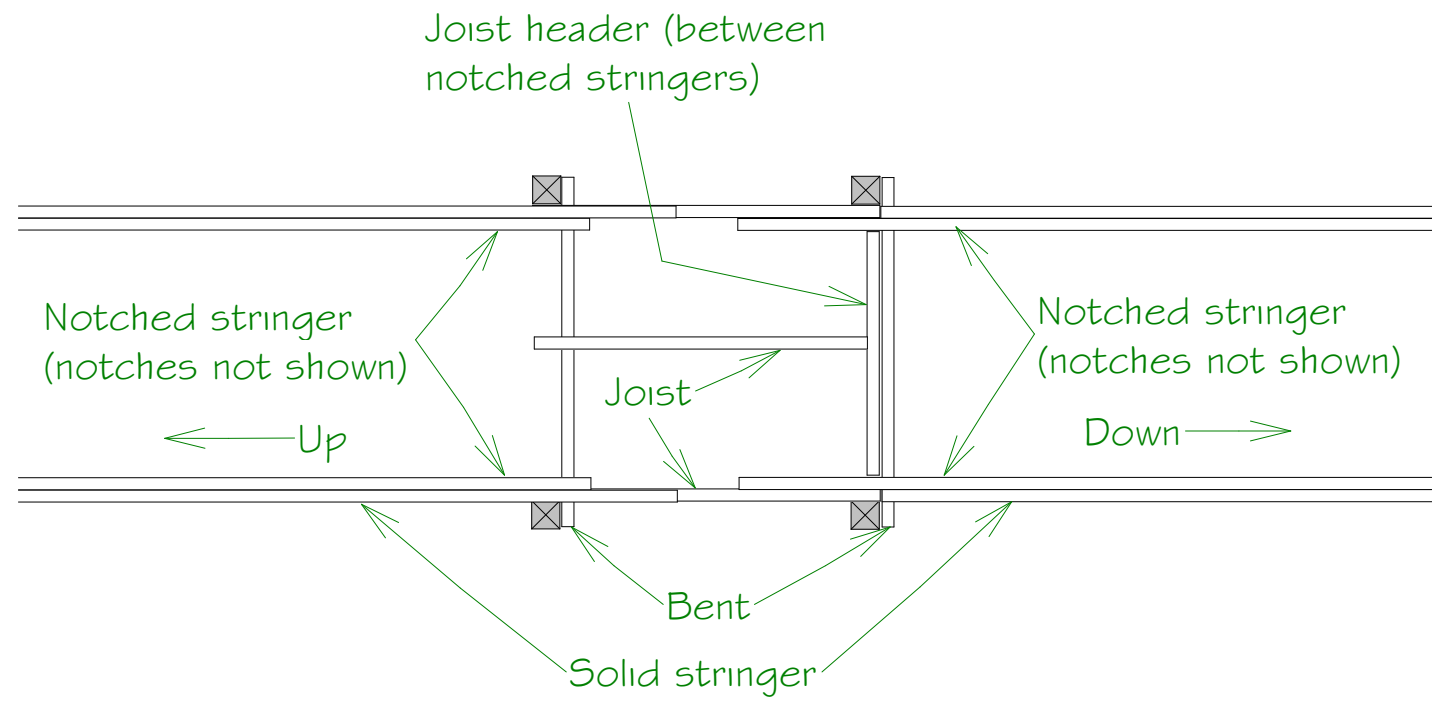


Dotted line indicates notched  
2x12 stringer behind (and fastend  
to) solid 2x12 stringer

2x4 on edge, centered  
under top rail

Notch cut is 7 1/8"  
rise and 8 1/2" run

Detail A Scale: 1/2" = 1'



Joist header (between  
notched stringers)

Notched stringer  
(notches not shown)

Joist

Notched stringer  
(notches not shown)

← Up

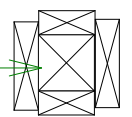
Down →

Bent

Solid stringer

Detail C Scale: 1/2" = 1'

Post bottom with (2) 1 6" 2x4 and  
(2) 1 6" 2x6 blocks attached.



Detail B Scale: 1" = 1'

Hampton Bays, NY Beach Stairs	<small>Copyright (c) 2003. All rights reserved.</small>			
	<b>David A. Webb, Inc.</b> Design, Drafting, Engineering, General Contracting 516 - 982 - 8502			
Details	Date	Drawn by	Scale	Sheet
	3/12/04	DW	1/8" = 1'	